

SERVICE PARTS LIST FOR MITSUBISHI ELECTRIC PACKAGED AIR-CONDITIONERS

Series PEFY-P-VMM-A

For use with the R407C & R22

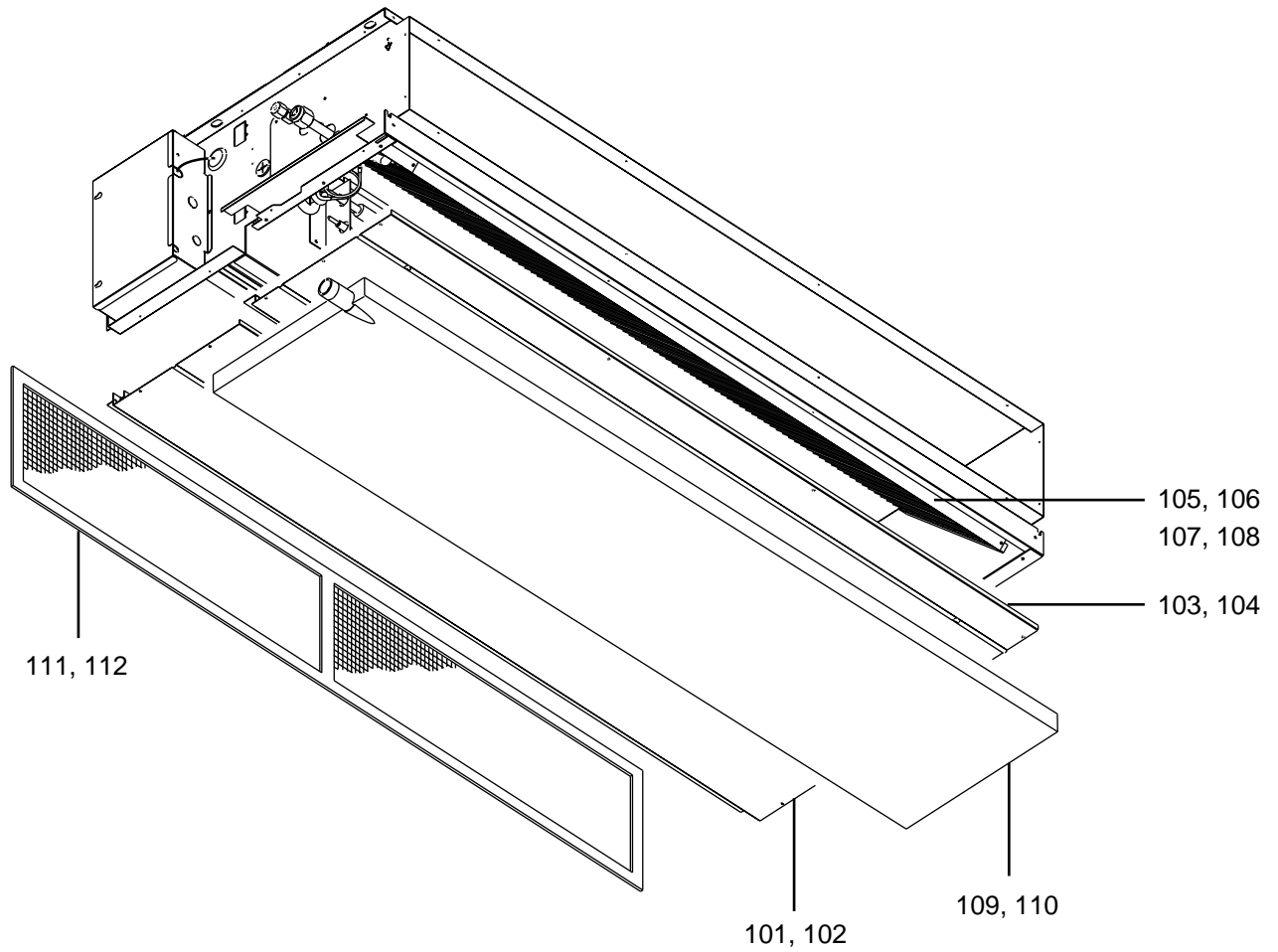
Mar. 2001

INDEX

PEFY-P(20,25,32)VMM-A

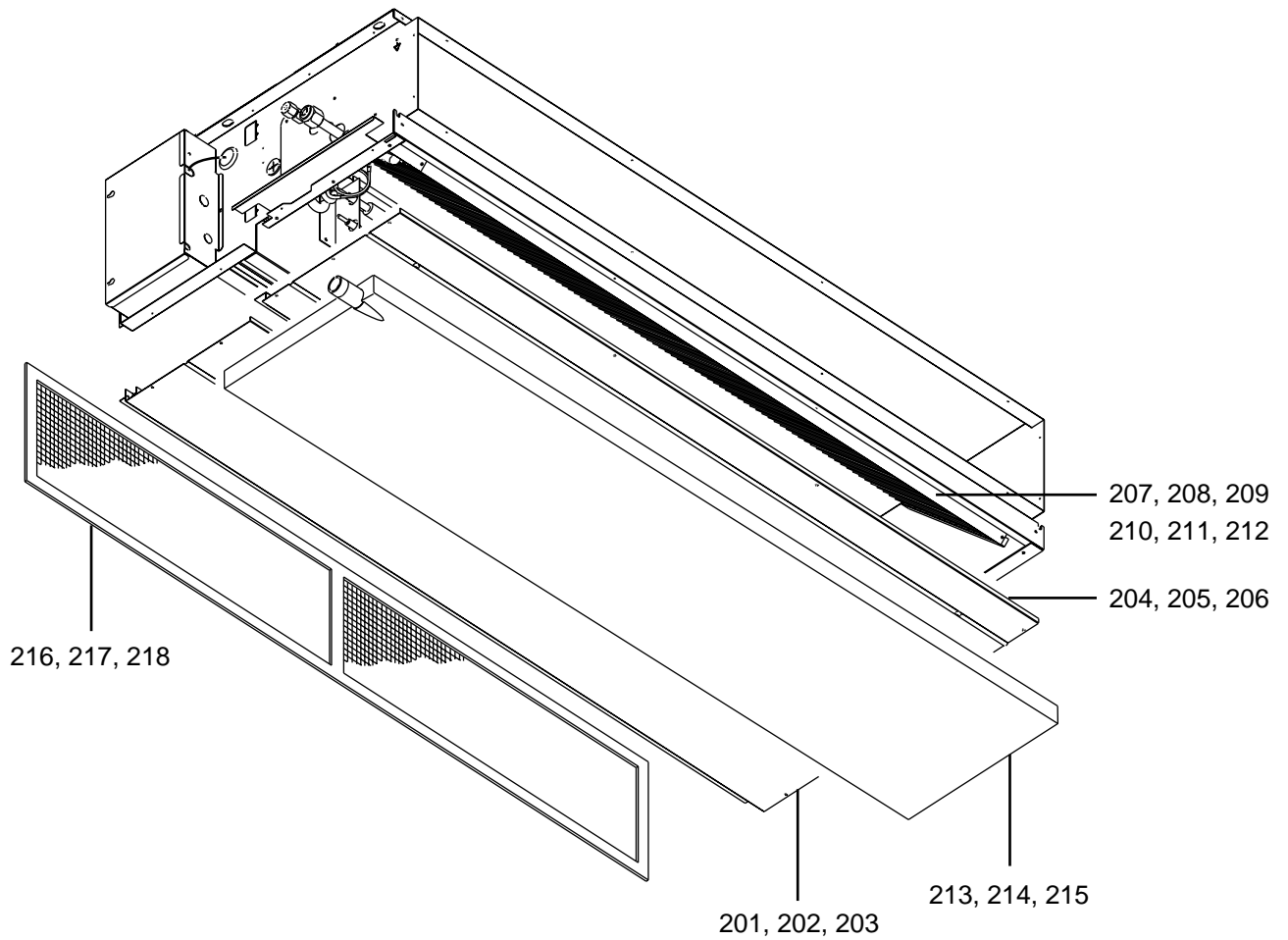
**PEFY-P(40,50,63,71,
80,100,125,140)VMM-A**

PEFY-P(20,25,32,40,50)VMM-A
EXTERNAL PARTS



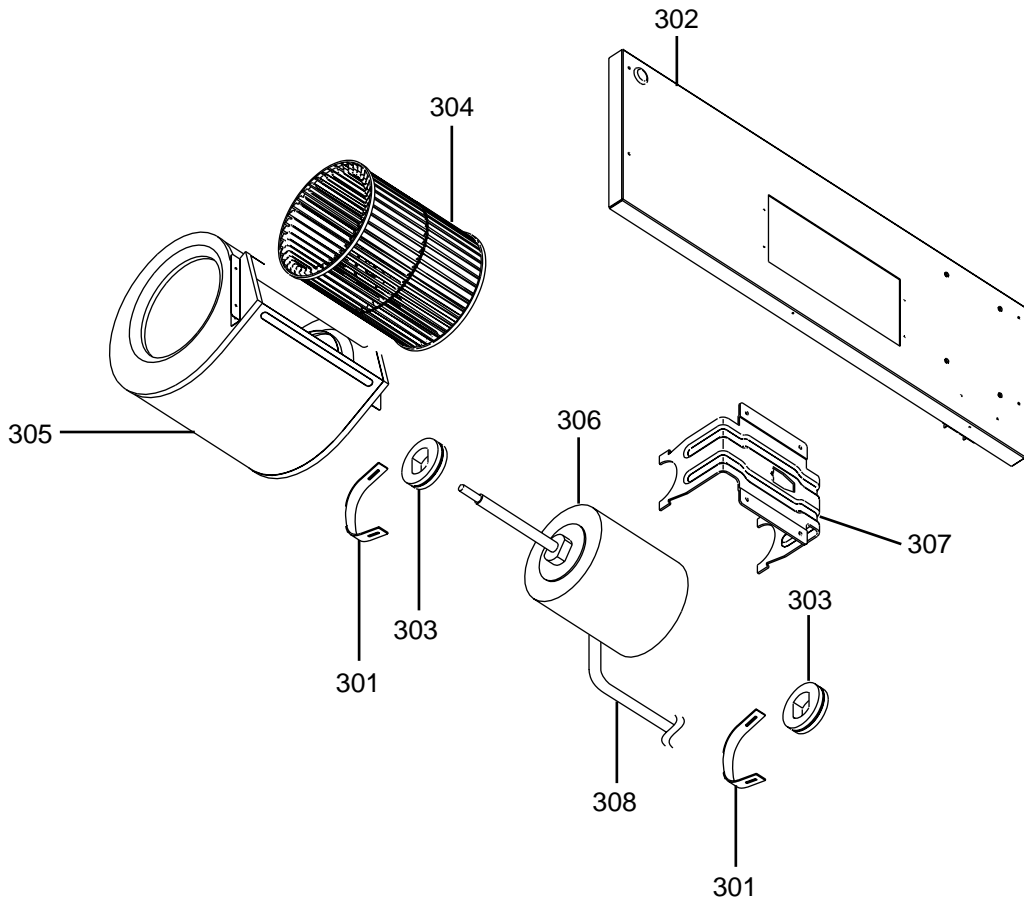
No.	Part No.	Part Name	Dwg. No.	Q'ty / Set					Spec.	Price
				PEFY -P20 VMM-A	PEFY -P25 VMM-A	PEFY -P32 VMM-A	PEFY -P40 VMM-A	PEFY -P50 VMM-A		
101	S70 032 669	Bottom plate 1	W639151Z02	1	1	1				
102	S70 031 669	Bottom plate 1	W638939Z03				1	1		
103	S70 082 669	Bottom plate 2 ass'y	W639152G01	1	1	1				
104	S70 081 669	Bottom plate 2 ass'y	W638940G02				1	1		
105	S70 022 480	H.EX.General ass'y	W268533G01	1	1					
106	S70 023 480	H.EX.General ass'y	W268533G02			1				
107	S70 024 480	H.EX.General ass'y	W268533G03				1			
108	S70 025 480	H.EX.General ass'y	W268533G04					1		
109	S70 031 529	Drain pan ass'y	W639154G01	1	1	1				
110	S70 011 529	Drain pan ass'y	W638942G01				1	1		
111	S70 011 500	Filter	W638181G03	1	1	1				
112	S70 021 500	Filter	W638181G01				1	1		

PEFY-P(63,71,80,100,125,140)VMM-A
EXTERNAL PARTS



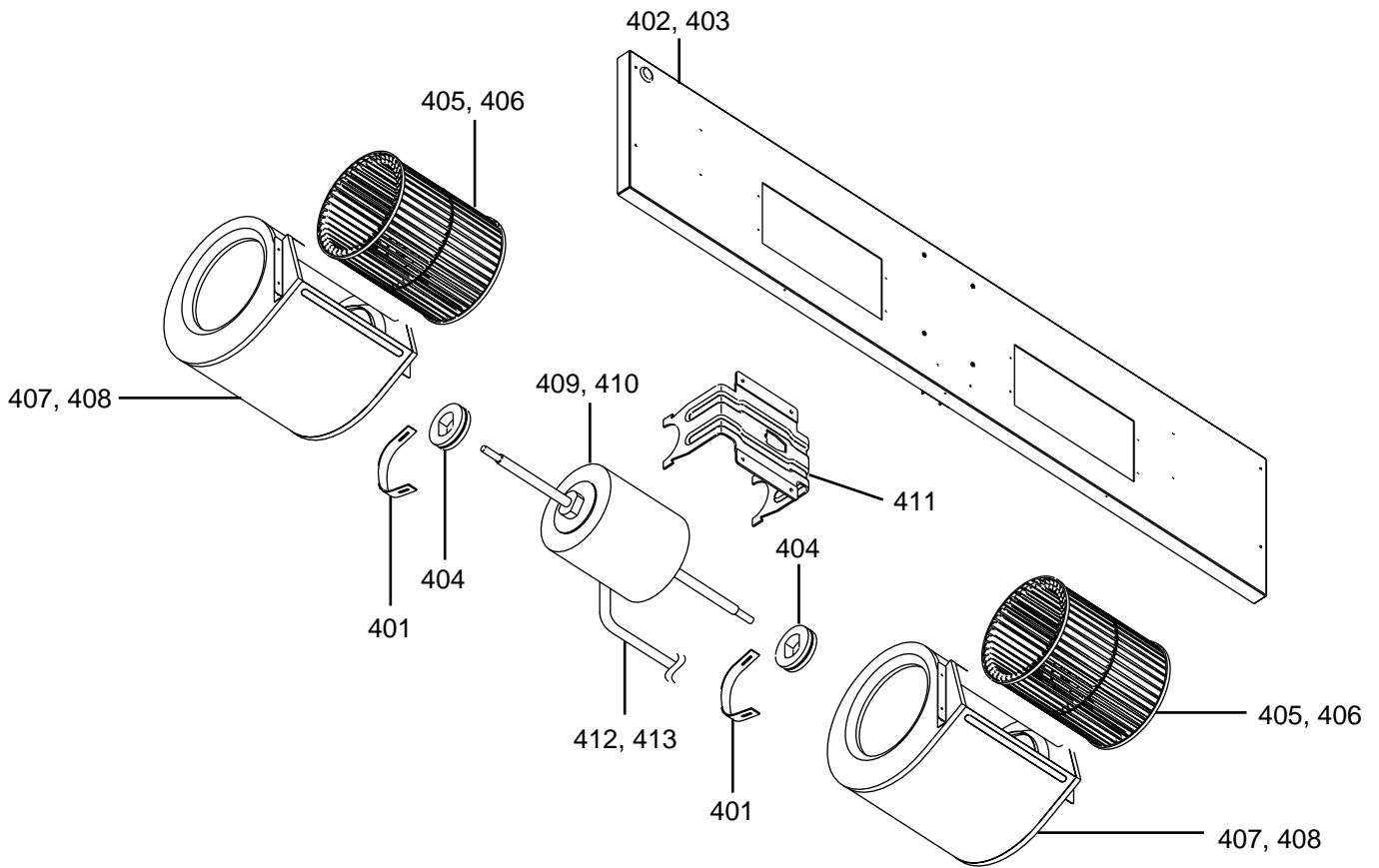
No.	Part No.	Part Name	Dwg. No.	Q'ty / Set						Spec.	Price
				PEFY -P63 VMM-A	PEFY -P71 VMM-A	PEFY -P80 VMM-A	PEFY -P100 VMM-A	PEFY -P125 VMM-A	PEFY -P140 VMM-A		
201	S70 011 669	Bottom plate 1	W638917Z03	1	1	1					
202	S70 012 669	Bottom plate 1	W634090Z01				1	1			
203	S70 013 669	Bottom plate 1	W634084Z01						1		
204	S70 091 669	Bottom plate 2 ass'y	W638918G02	1	1	1					
205	S70 052 669	Bottom plate 2 ass'y	W634030G01				1	1			
206	S70 050 669	Bottom plate 2 ass'y	W631188G02						1		
207	S70 026 480	H.EX.General ass'y	W268533G05	1							
208	S70 027 480	H.EX.General ass'y	W268533G06		1						
209	S70 028 480	H.EX.General ass'y	W268533G07			1					
210	S70 029 480	H.EX.General ass'y	W268533G08				1				
211	S70 030 480	H.EX.General ass'y	W268533G09					1			
212	S70 031 480	H.EX.General ass'y	W268533G10						1		
213	S70 021 529	Drain pan ass'y	W638920G01	1	1	1					
214	S70 060 529	Drain pan ass'y	W634034G01				1	1			
215	S70 040 529	Drain pan ass'y	W631186G01						1		
216	S70 031 500	Filter	W638181G02	1	1	1					
217	S70 040 500	Filter	W630129G05				1	1			
218	S70 010 500	Filter	W630129G02						1		

PEFY-P(20,25,32,)VMM-A
 BLOWER PARTS



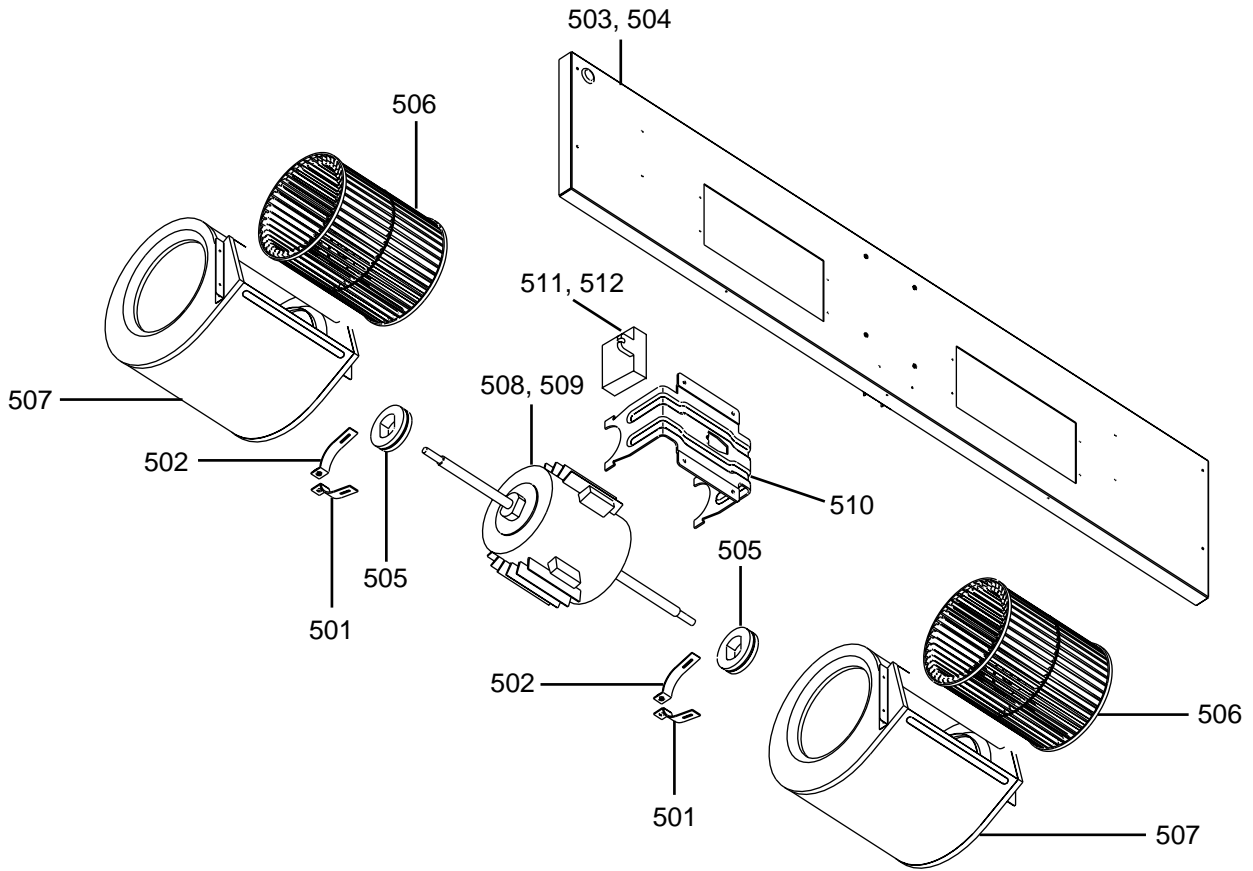
No.	Part No.	Part Name	Dwg. No.	Q'ty / Set			Spec.	Price
				PEFY -P20 VMM-A	PEFY -P25 VMM-A	PEFY -P32 VMM-A		
301	S70 652 131	Attachment	W353715H01	2	2	2		
302	S70 011 677	Fan base ass'y	W639145G02	1	1	1		
303	S70 777 105	Bush	W843446H02	2	2	2		
304	S70 A89 114	Sirocco fan	W122297G01	1	1	1	18-23L	
305	S70 985 110	Housing ass'y	W638949G04	1	1	1		
306	S70 Y60 220	Motor	P714425X01	1	1	1	<MF>	
307	S70 Y61 220	Motor support	W252768H01	1	1	1		
308	S70 Y77 320	Lead wire ass'y	W882178G01	1	1	1		

PEFY-P(40,50,63,71,80)VMM-A
BLOWER PARTS



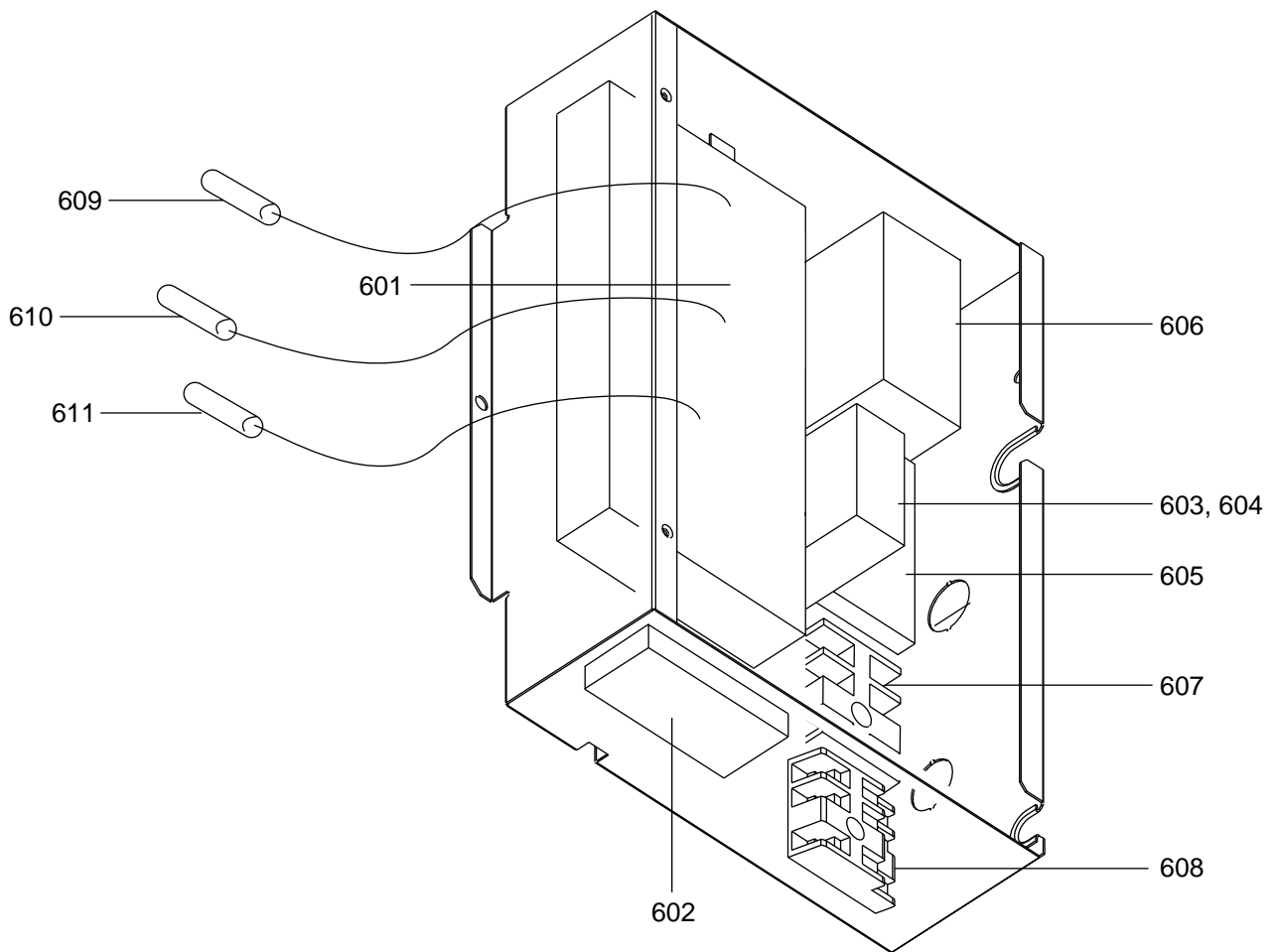
No.	Part No.	Part Name	Dwg. No.	Q'ty / Set					Spec.	Price
				PEFY -P40 VMM-A	PEFY -P50 VMM-A	PEFY -P63 VMM-A	PEFY -P71 VMM-A	PEFY -P80 VMM-A		
401	S70 652 131	Attachment	W353715H01	2	2	2	2	2		
402	S70 021 677	Fan base ass'y	W641676G01	1	1					
403	S70 061 677	Fan base ass'y	W638905G03			1	1	1		
404	S70 777 105	Bush	W843446H02	2	2	2	2	2		
405	S70 A88 114	Sirocco fan	W122296G01	2	2				18-18L	
406	S70 A89 114	Sirocco fan	W122297G01			2	2	2	18-23L	
407	S70 989 110	Housing ass'y	W638949G03	2	2					
408	S70 985 110	Housing ass'y	W638949G04			2	2	2		
409	S70 Y61 220	Motor	P714079X02	1	1				<MF>	
410	S70 Y62 220	Motor	P714561X01			1	1	1	<MF>	
411	S70 Y61 130	Motor support	W252768H01	1	1	1	1	1		
412	S70 Y77 321	Lead wire ass'y	W882178G02	1	1					
413	S70 Y77 322	Lead wire ass'y	W882178G03			1	1	1		

PEFY-P(100,125,140)VMM-A
BLOWER PARTS



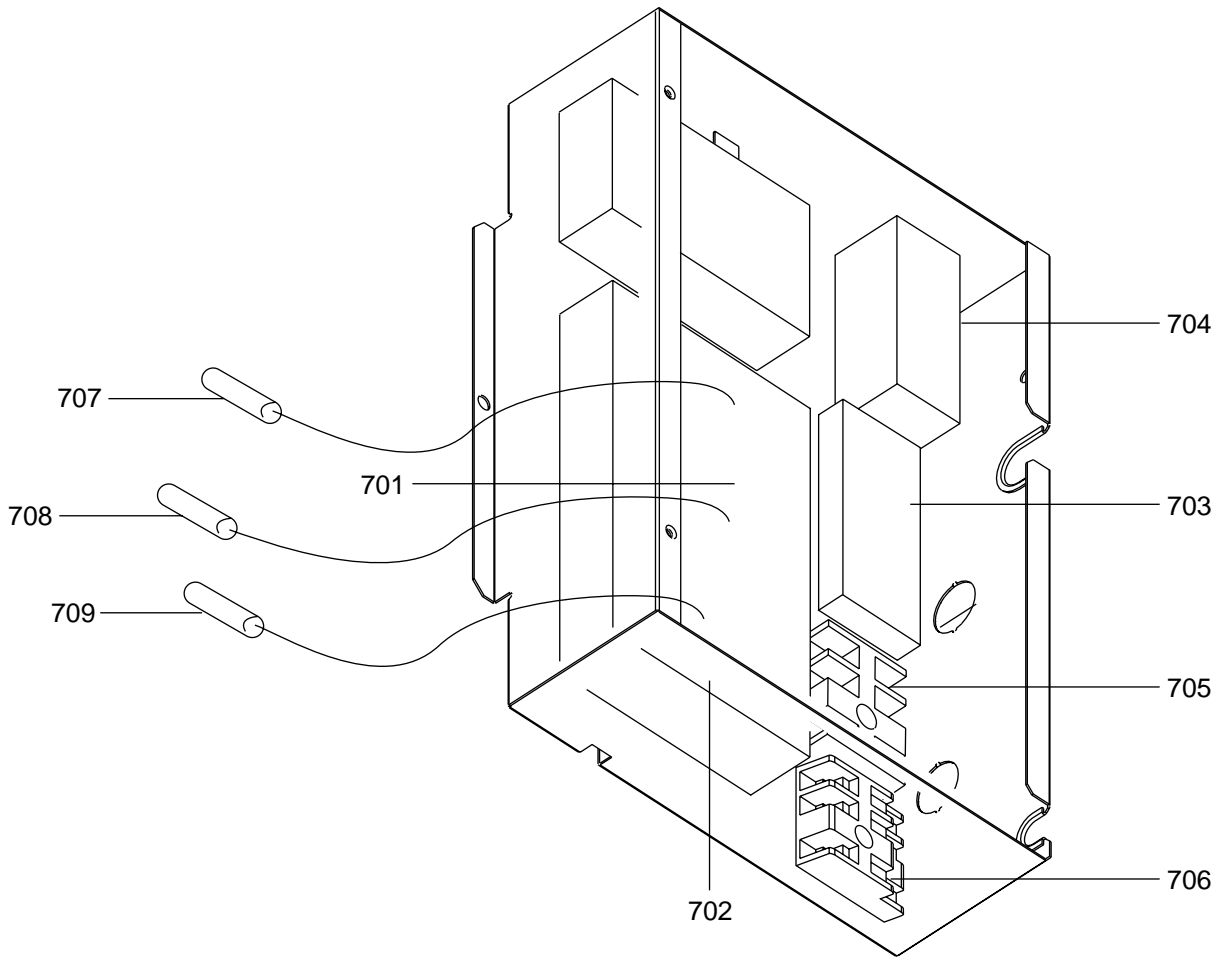
No.	Part No.	Part Name	Dwg. No.	Q'ty / Set				Spec.	Price
				PEFY -P100 VMM-A	PEFY -P125 VMM-A	PEFY -P140 VMM-A			
501	S70 508 131	Piece	R02K338H02	2	2	2			
502	S70 508 132	Piece	R02K338G82	2	2	2		with a nut	
503	S70 081 677	Fan base ass'y	W634079G01	1	1				
504	S70 091 677	Fan base ass'y	W634077G01			1			
505	S70 Y01 105	Bush	W860050H02	2	2	2			
506	S70 Y07 114	Sirocco fan	W631126G02	2	2	2		20-25L	
507	S70 001 110	Housing ass'y	W631120G02	2	2	2			
508	S70 Y63 220	Motor	P714778X01	1				<MF>	
509	S70 Y64 220	Motor	P714779X01		1	1		<MF>	
510	S70 Y08 130	Leg	W631122Z04	1	1	1			
511	S70 050 255	Capacitor 8	P412190X01	1				<C>	
512	S70 020 255	Capacitor 16	P412223X01		2	2		<C>	

PEFY-P(20,25,32,40,50,63,71,80)VMM-A
CONTROL BOX PARTS



No.	Part No.	Part Name	Dwg. No.	Q'ty / Set								Spec.	Price
				PEFY -P20 VMM-A	PEFY -P25 VMM-A	PEFY -P32 VMM-A	PEFY -P40 VMM-A	PEFY -P50 VMM-A	PEFY -P63 VMM-A	PEFY -P71 VMM-A	PEFY -P80 VMM-A		
601	S70 021 310	Service P.W.B. ass'y	W849036G04	1	1	1	1	1	1	1	1	I.B.	
602	S70 031 310	Service P.W.B. ass'y	W849036G06	1	1	1	1	1	1	1	1	A.B.	
603	S70 030 255	Capacitor 8	P412225X01	1	1	1	1	1				C	
604	S70 040 255	Capacitor 6	P412216X01						1	1	1	C	
605	S70 041 310	P.W.B. General ass'y	PP00003G01	1	1	1	1	1	1	1	1	S.B.	
606	S70 030 799	Transformer	P715268X02	1	1	1	1	1	1	1	1	T	
607	S70 979 717	Terminalbed	P436110X01	1	1	1	1	1	1	1	1	TB2	
608	S70 980 717	Terminalbed	P436114X03	1	1	1	1	1	1	1	1	TB5/TB15	
609	S70 080 202	Thermistor	P425459X02	1	1	1	1	1	1	1	1	TH22	
610	S70 090 202	Thermistor	P425458X02	1	1	1	1	1	1	1	1	TH23	
611	S70 070 202	Thermistor	P425455x01	1	1	1	1	1	1	1	1	TH21	

PEFY-P(100,125,140)VMM-A
CONTROL BOX PARTS



No.	Part No.	Part Name	Dwg. No.	Q'ty / Set			Spec.	Price
				PEFY -P100 VMM-A	PEFY -P125 VMM-A	PEFY -P140 VMM-A		
701	S70 051 310	Service P.W.B. ass'y	W849036G05	1	1	1	I.B.	
702	S70 061 310	Service P.W.B. ass'y	W849036G06	1	1	1	A.B.	
703	S70 041 310	P.W.B. General ass'y	PP00003G01	1	1	1	S.B.	
704	S70 030 799	Transformer	P715268X02	1	1	1	T	
705	S70 979 717	Terminalbed	P436110X01	1	1	1	TB2	
706	S70 980 717	Terminalbed	P436114X03	1	1	1	TB5/TB15	
707	S70 080 202	Thermistor	P425459X02	1	1	1	TH22	
708	S70 090 202	Thermistor	P425458X02	1	1	1	TH23	
709	S70 070 202	Thermistor	P425455X01	1	1	1	TH21	

